

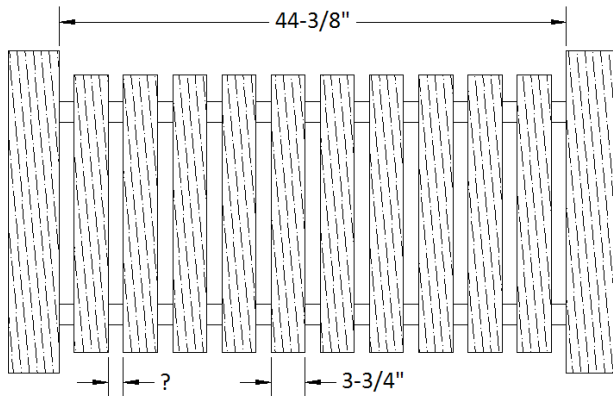
Name: _____

Date: _____

Per: _____

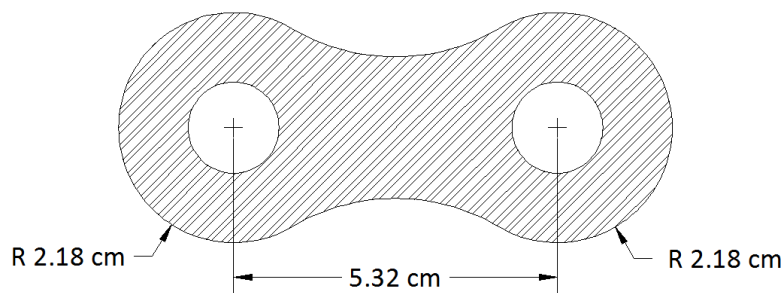
1.1: Examples

1. Calculate the space between each fence slat if the spaces are all equal.

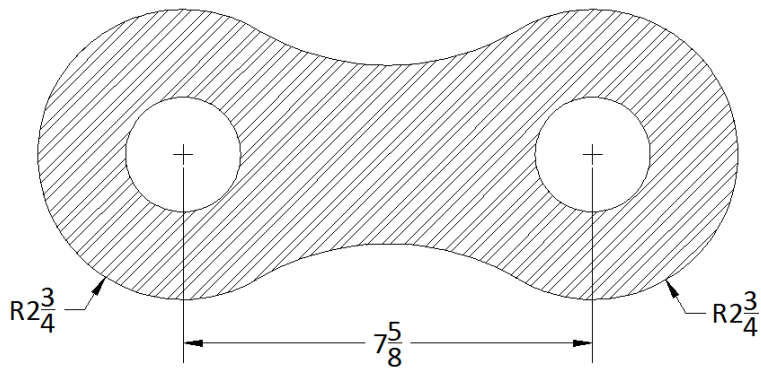


2. Calculate the new dimensions for the part below if it is scaled **up** by a multiple of 6.

Calculate the new dimensions for the part below if it is scaled **down** by a factor of 4.



3. Calculate the overall width and height of plate steel necessary to lay out 12 rows and 5 columns of the part below if they are spaced $\frac{3}{4}$ " apart to allow for the cutting tool.



4. Calculate dimensions X & Y so that all 8 gaps between the circles are the same size.

